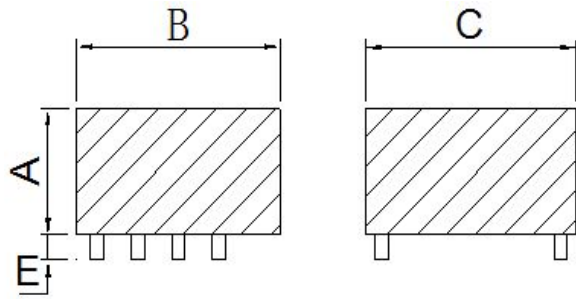


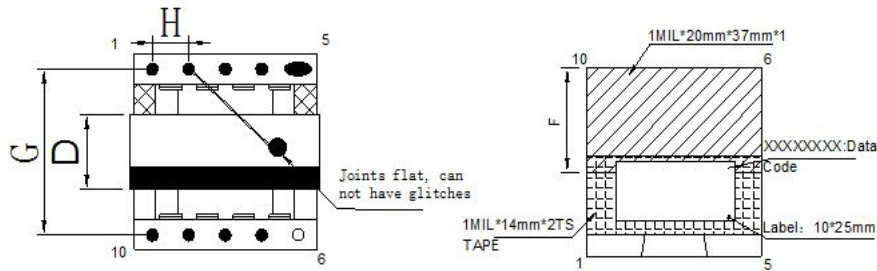
CUSTOMER TERMINAL	ROHS	Lead(Pb)-free
	YES	YES



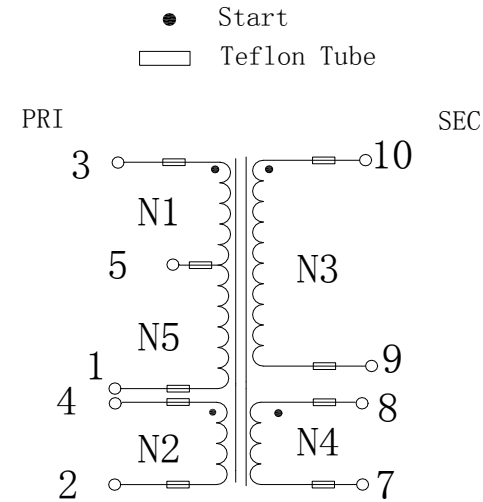
1.Mechanical Dimensions



A	15.0	MAX
B	27.5	MAX
C	26.6	MAX
D	10.0	±0.5
E	3.8	±0.5
F	12.0	±0.5
G	22.0	±0.5
H	5.0	±0.5



2.Schematic Diagram



3.Material List

Core:FW44 EFD25/25/9
 Bobbin:FWB2506(5+5PIN)
 Wire:2UEW TIW
 Copper foil:0.025t*10.0mm
 Operating Temperature: -30 to115 °C

4.Electrical Specification

Inductance : L(3-1):800uH±5% 60KHZ , 1.0V
 Leakage Inductance : 15uH MAX 60KHZ , 1.0V
 DCR : (3-1)=1.38Ω MAX
 Hi-Pot:P-S: AC 60Hz 4000V 1mA 3S
 P-CORE: AC 60Hz 500V 1mA 3S

REV.	DATE	 Convention Placement	DRW.	Drawing Title:	Part No:		
0	00/00		CHK.			TRANSFORMER	FWPTEFD25H801J
			APP.			Customer P/N	Specification Sheet 1of 1
ROHS		www.ferriwo.com					